



55 Ellipse DS Daisy/megres/matelux
door leaf, laminated door-frame

55 Ellipse II DS Megres
door leaf, laminated door-frame

ELLIPSE^{DS}
FLAT EMBOSSED

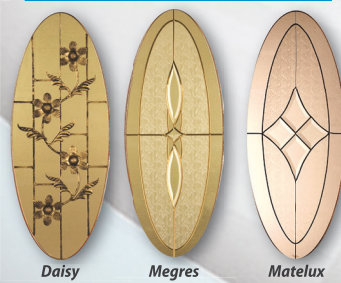


55 Ellipse DS
door leaf, laminated door-frame

Glazing available for
WENUS I DS
WENUS II DS



Glazing available for
ELIPSA DS



The width of the door: 1200 mm, 1400 mm

AVAILABLE
COLOURS:



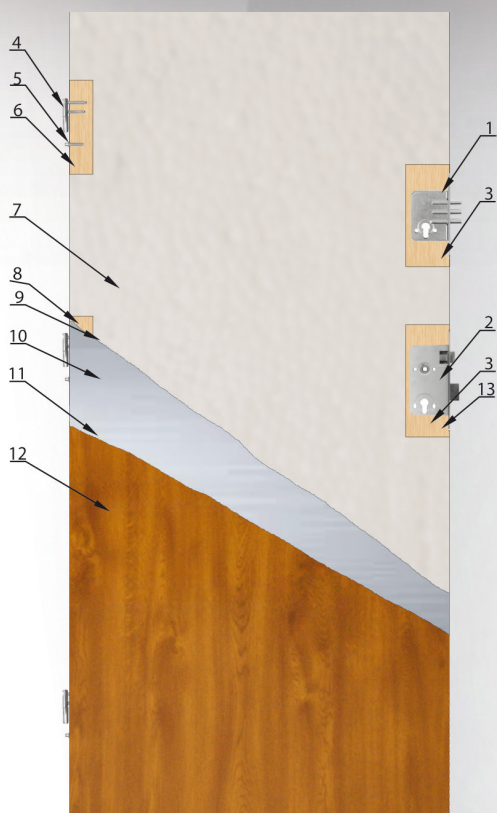
METAL DOORS

42

STANDARD STANDARD WITH THE WINDOW

Metal, entrance doors
external/internal (thickness 42 mm)
in accordance with standard PN-EN 14351-1:2006+A1:2010

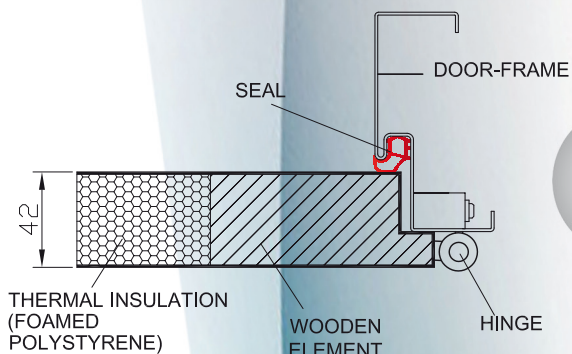
CONSTRUCTION OF THE DOOR:



1. Additional lock
2. Main lock
3. Pocket of lock
4. Pintle-screw hinge
5. Reinforcement for the hinges
6. Bolts protecting against forcing
7. Slab of hard polystyrene
8. Glue
9. The zinc coating
10. Steel sheet
11. The zinc coating
12. Laminate with woodgrain finish
13. Lock adjustment or electric doorstrike



THE PROFILE OF LEAF – DOOR AND DOOR-FRAME:



ADOPTION

- Doors for the installation in housing development and public utility
- smooth of steel sheet covered with PVC decorative film, resistant to UV rays,
 - filled with slab of foamed hard polystyrene,
 - protected against forcing: lower lock, upper three-bolt lock and three fixed bolts protecting against forcing,
 - seal on the door circumference in the door-frame .

STANDARD EQUIPMENT:

- door leaf,
- door-frame in the same color like a leaf with seal,
- main lock,
- additional three-bolt lock,
- fixed bolts protecting against forcing,
- pintle-screw hinges,
- lock adjustment.

In the standard equipment the frame which is available is:

- asymmetric,
- corner.

ADDITIONAL EQUIPMENT FOR EXTRA CHARGE
Lock insert 30x40
Lock insert with knob 30x40
Handle NIAGARA - AXA
Handle OTTAWA - AXA
Handle KASTOR - MAR-TOM
Handle ZEUS - MAR-TOM
Handle PROXIMA - MAR-TOM
Handle - rail NIAGARA - AXA
Special ("WARM") Threshold 80/90
Aluminum Threshold 80/90
Viewfinder
Electric doorstrike
Reinforcement for self-door closer
Reduce the length of door (max170 mm)

The rate of acoustic insulation – 27 dB
Heat permeability rate of sash section:
width 800 mm complete - 1,8 [W/(m²*K)] width 800 mm glazed - 2,0 [W/(m²*K)]
width 900 mm complete - 1,7 [W/(m²*K)] width 900 mm glazed - 1,9 [W/(m²*K)]



42 Standard
door leaf, laminated door-frame



42 Standard with the window
door leaf, laminated door-frame

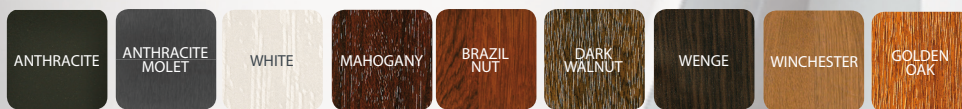
STANDARD SMOOTH

42 STANDARD
SMOOTH

SIZES OF THE WINDOW: 95mm x 580 mm

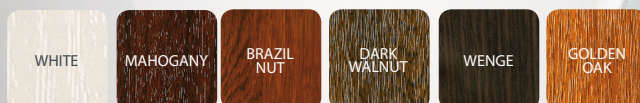
The width of the door: **800 mm, 900 mm**

**AVAILABLE
COLOURS
STANDARD:**



The width of the door: **800 mm, 900 mm**

**AVAILABLE
COLOURS
STANDARD WITH
THE WINDOW:**



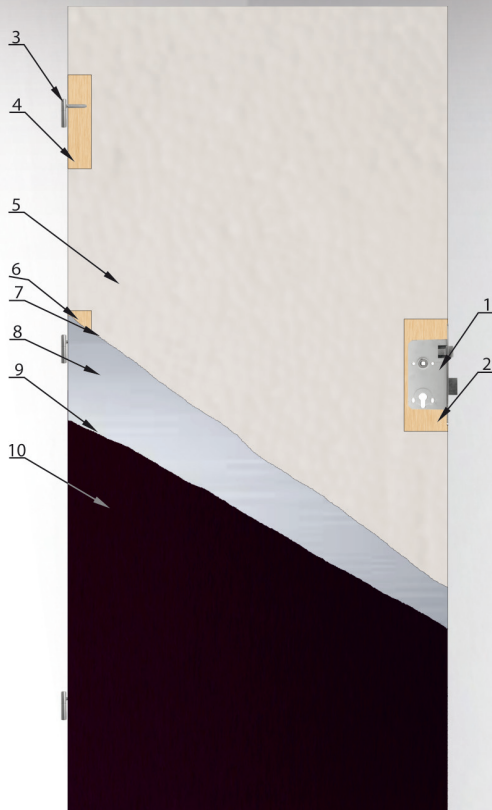
TECHNICAL DOORS

42

UNI UNI WITH THE WINDOW

Metal, entrance doors
external/internal (thickness 42 mm)
in accordance with standard PN-EN 14351-1:2006+A1:2010

CONSTRUCTION OF THE DOOR:



1. Main lock
2. Pocket of lock
3. Single hinge
4. Reinforcement for the hinges
5. Slab of hard polystyrene
6. Glue
7. The zinc coating
8. Steel sheet
9. The zinc coating
10. Lacquer / Laminate with woodgrain finish



ADOPTION

- Doors for the installation in housing development and public utility
- smooth of steel sheet covered with PVC decorative film, resistant to UV rays,
 - filled with slab of foamed hard polystyrene,
 - protected against forcing: lower lock,
 - seal on the door circumference in the door-frame .

STANDARD EQUIPMENT:

- door leaf,
- door-frame in the same color like a leaf with seal,
- main lock,
- single hinges.

In the standard equipment the frame which is available is:

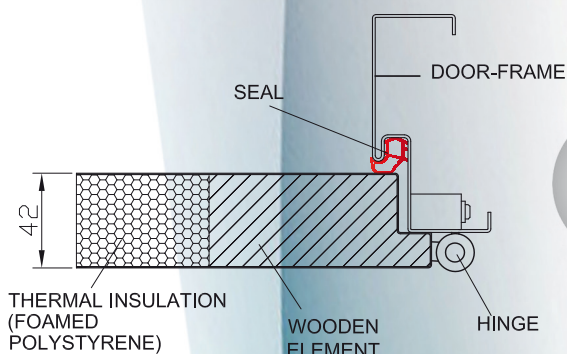
- asymmetric,
- corner.

ADDITIONAL EQUIPMENT FOR EXTRA CHARGE
Lock insert 30x40
Handle SANDRA - MAR-TOM
Handle KASTOR - MAR-TOM
Handle PROXIMA - MAR-TOM
Aluminum threshold 80/90/100
Viewfinder
Reduce the length of door (max170 mm)



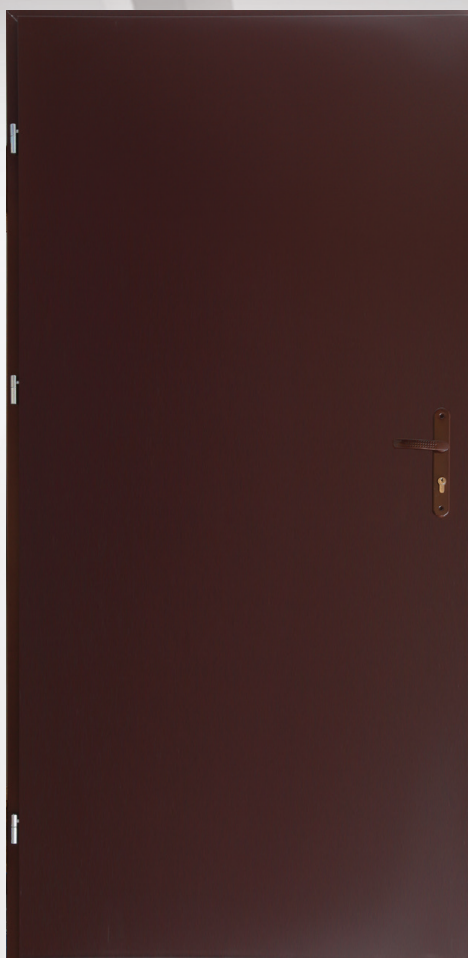
The rate of acoustic insulation – 27 dB
Heat permeability rate of sash section:
width 800 mm complete - 1,8 [W/(m²*K)] width 800 mm glazed - 2,0 [W/(m²*K)]
width 900 mm complete - 1,7 [W/(m²*K)] width 900 mm glazed - 1,9 [W/(m²*K)]
width 1000mm complete - 1,7[W/(m²*K)] width 1000mm glazed - 1,9[W/(m²*K)]

THE PROFILE OF LEAF – DOOR AND DOOR-FRAME:



TECHNICAL DOORS

42 TECHNICAL UNI



42 Uni



42 Uni with the window

Lamminated leaf:

width 800 mm, 900 mm

UNI leaf

UNI with the window leaf

UNI lamminated door-frame

Lacquered leaf:

width 800 mm, 900 mm

UNI leaf

UNI with the window leaf

UNI lamminated door-frame

Lacquered leaf:

width 1000 mm

UNI leaf

UNI with the window leaf

UNI lamminated door-frame

SIZES OF THE WINDOW: 165mm x 700 mm

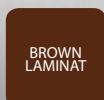
Width of the door: **800 mm, 900 mm, 1000 mm**

Available colour for the lacquered leaf:



Width of the door: **800 mm, 900 mm**

Available colour for the lamminated leaf:



Available colour of door-frame:

